

RESILIENT FLANGE SEAT GATE VALVE PN10/16

ROLAN ITALY

GENERAL CHARACTERISTICS

Design standard: DIN3352

Flange: DIN2501/EN1092 PN10/16

Face to face dimensions: DIN3202 (Equal to ISO5752)

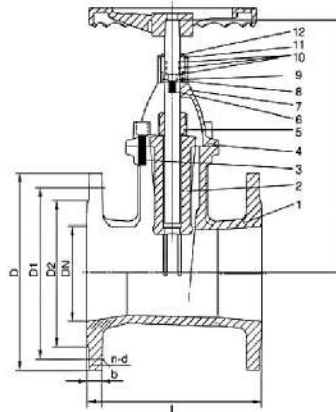
Test standard: DIN3230

Work temperature: NBR $\leq 80^{\circ}\text{C}$, EPDM $\leq 120^{\circ}\text{C}$

With epoxy coating RAL 5015, 250 microns thickness.

APPLICATION

General use : Water supply, fire protection, irrigation, water treatment.



Main components and their materials

| NUM | Name | Material |
|-----|---------------|-------------------|
| 1 | Body | GGG40 |
| 2 | Gate | GGG40+EPDM |
| 3 | Bonnet Bolts | Steel 8.8 + Wax |
| 4 | Bonnet Gasket | NBR |
| 5 | Stem Nuts | Brass |
| 6 | Stem | 2Cr13 |
| 7 | Bonnet | GGG40 |
| 8 | Splint Collar | Iron+Electroplate |
| 9 | Gasket | Nylon |
| 10 | *O* Ring | NBR |
| 11 | *O* Ring | NBR |
| 12 | Gland | Brass |

Dimensions

| DN | L (mm) | A (mm) | Flange dimensions to DIN2501(mm) | | | | | | | | | |
|-----|-----------|-----------|----------------------------------|------------|------------|------------|------------|------------|---|----|------------|------------|
| | | | D | | D1 | | D2 | | f | t | n-d | |
| | | | 1.0 Mpa | 1.6 Mpa | 1.0 Mpa | 1.6 Mpa | 1.0 Mpa | 1.6 Mpa | | | 1.0 Mpa | 1.6 Mpa |
| 50 | 150 | 260 | 160 | | 125 | | 99 | | 2 | 15 | 4-19 | |
| 65 | 170 | 270 | 179 | | 145 | | 118 | | 2 | 15 | 4-19 | |
| 80 | 180 | 310 | 194 | | 160 | | 132 | | 2 | 16 | 8-19 | |
| 100 | 190 | 340 | 220 | | 180 | | 156 | | 2 | 16 | 8-19 | |
| 125 | 200 | 405 | 250 | | 210 | | 184 | | 2 | 18 | 8-19 | |
| 150 | 210 | 460 | 276 | | 240 | | 211 | | 2 | 18 | 8-23 | |
| 200 | 230 | 570 | 330 | | 295 | | 266 | | 3 | 20 | 8-23 | 12-23 |
| 250 | 250 | 660 | 385 | 395 | 350 | 355 | 319 | | 3 | 22 | 12-23 | 12-28 |
| 300 | 270 | 770 | 435 | 450 | 400 | 410 | 370 | | 3 | 24 | 12-23 | 12-28 |